

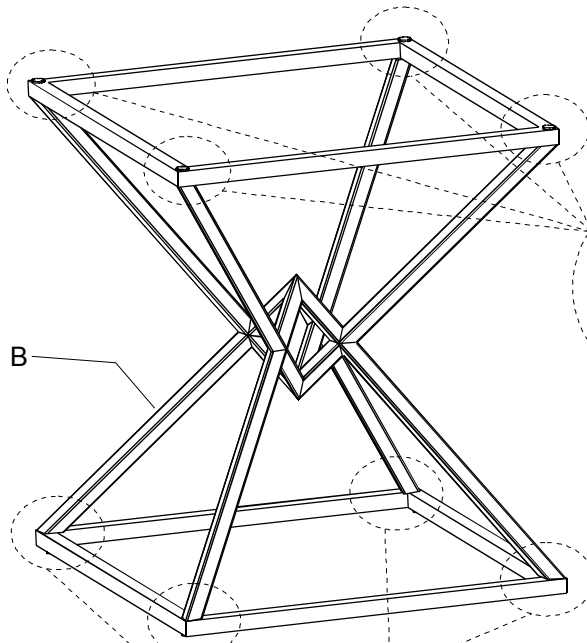
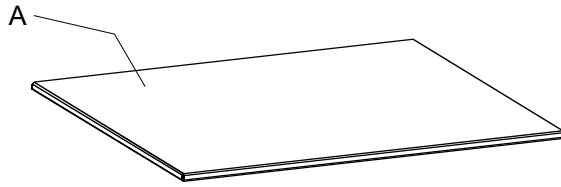


Chintaly Imports.

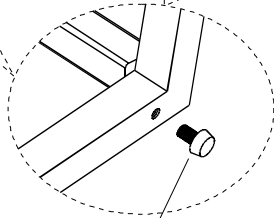
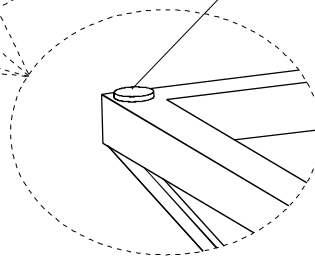
ASSEMBLY INSTRUCTION

ITEM NO.: 7616-LT

THANK YOU FOR PURCHASING THIS QUALITY PRODUCT.
BE SURE TO CHECK ALL PACKING MATERIAL CAREFULLY FOR SMALL PARTS
THAT MAY HAVE COME LOOSE INSIDE THE CARTON DURING TRANSIT.

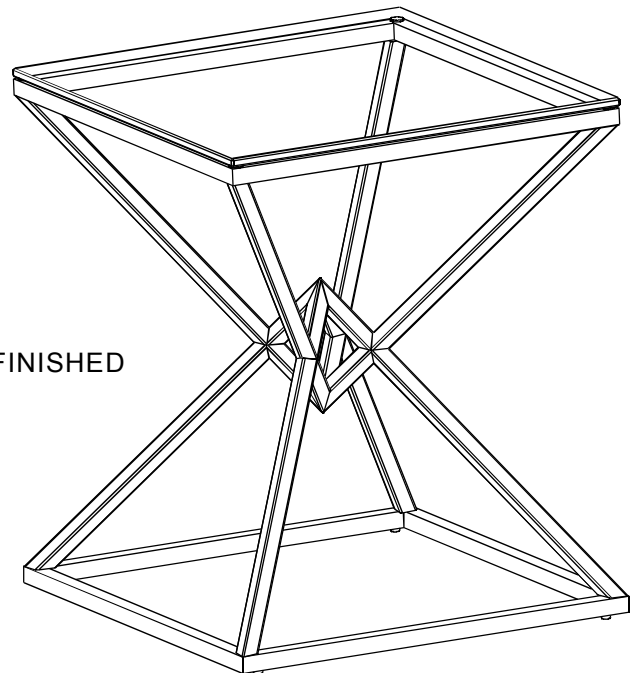


antislid rubber pad:4pcs



M6*15mm,4pcs

Please adjust the glides if the
product is not balanced well.



FINISHED

MADE IN CHINA

PART LIST

NO.	DESC	SIZE(MM)	SKETCH	QTY
A	TOP	500*500*10		1PC
B	BASE	498*498*590		1PC